

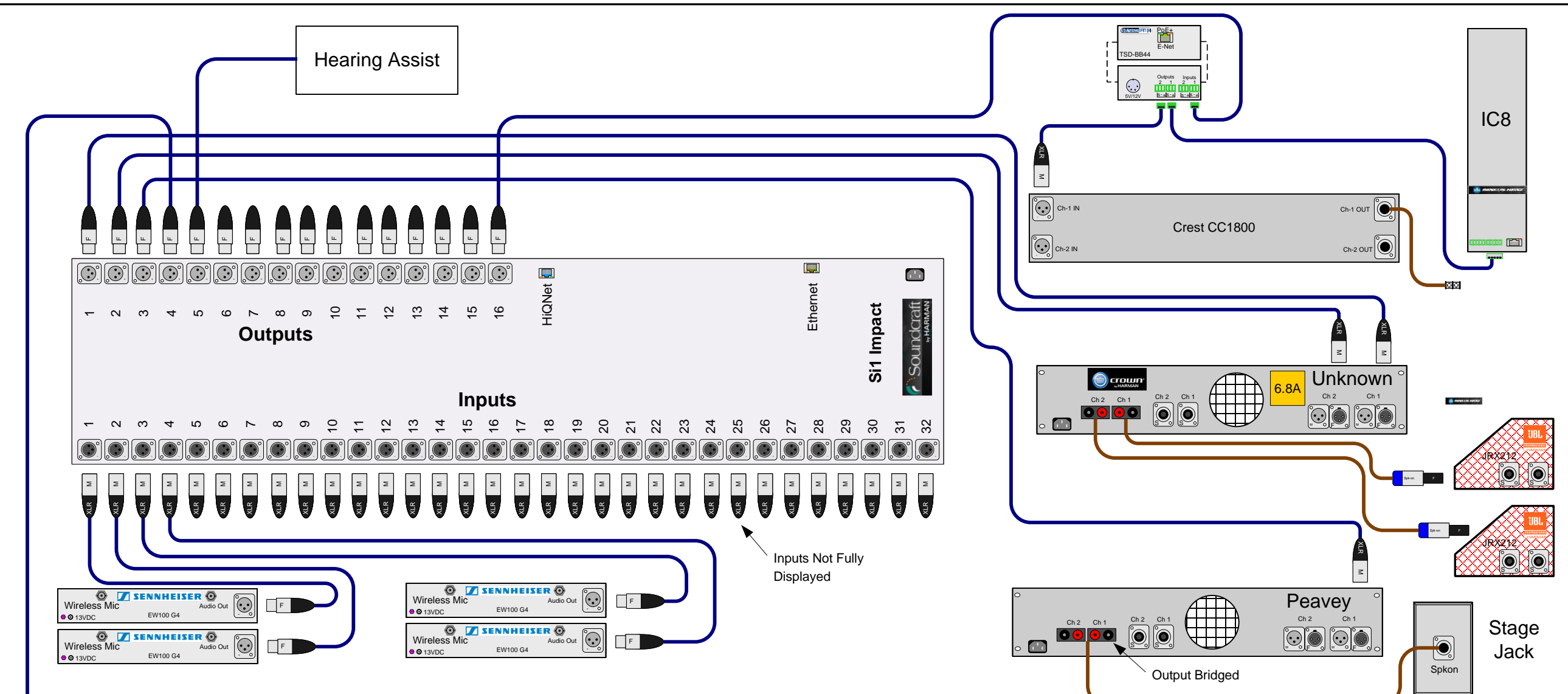


SOUND CONCEPTS LLC

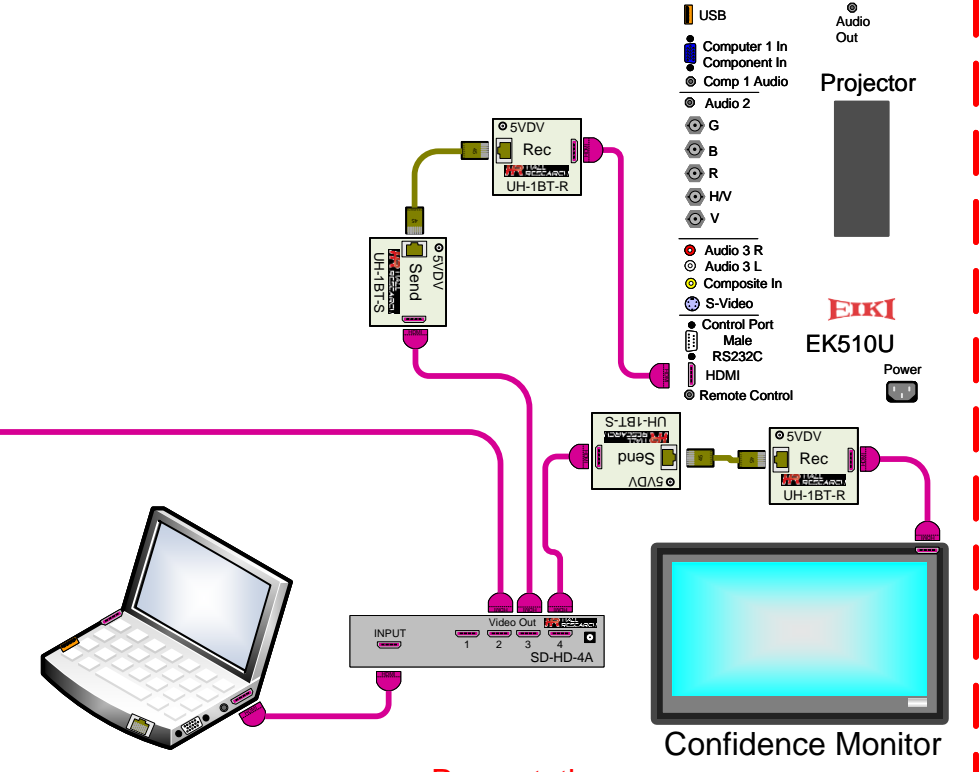
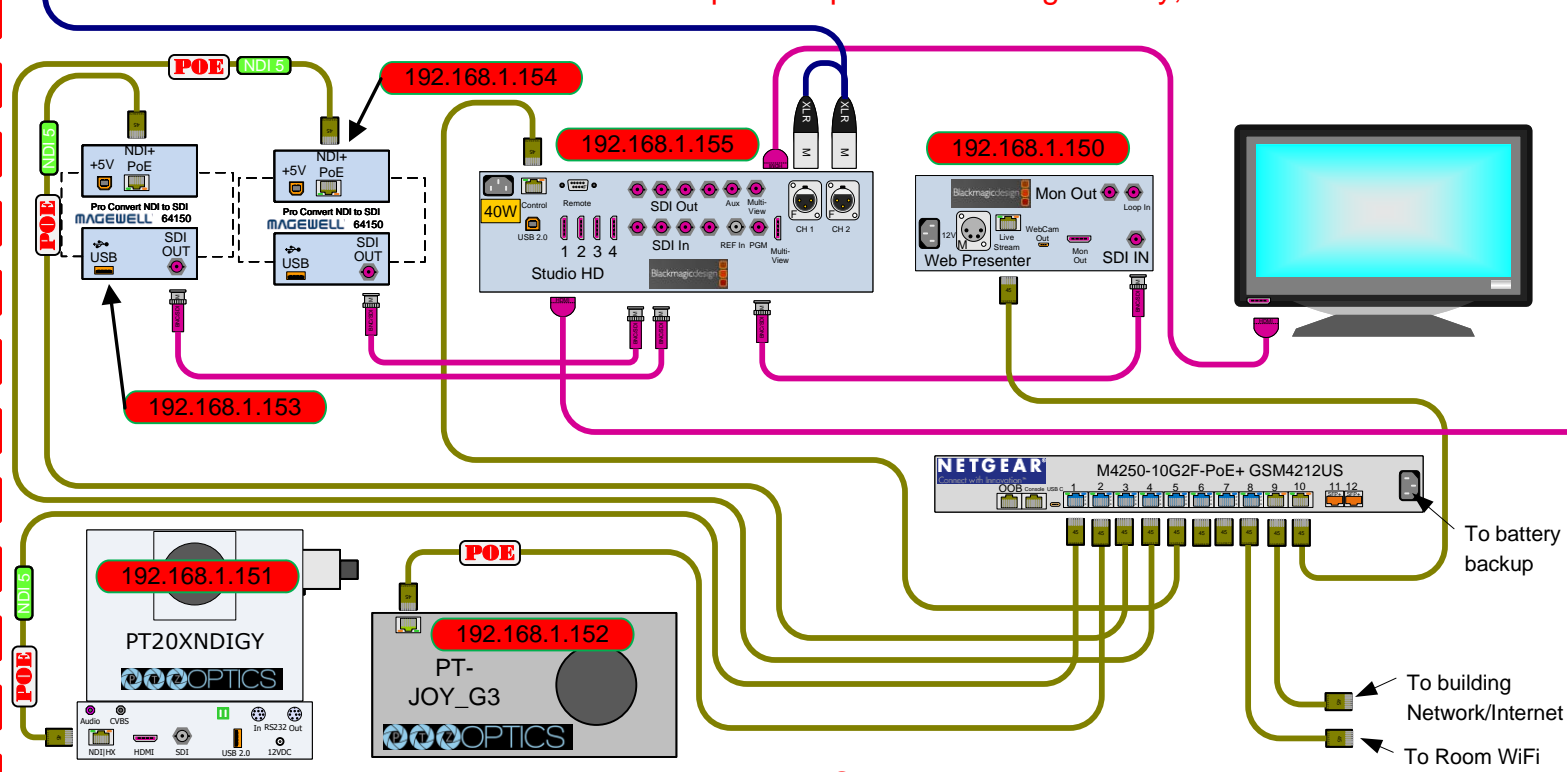
1233 Castle Dr. Ste A5 Mason, Oh 45040
 513-703-0147
 customerservice@soundconceptsllc.com
 www.soundconceptsllc.com

Wire Color Legend

- AC AC Line
- B Audio, Balanced
- U Audio, Unbalanced
- S Speaker
- DA Digital Audio
- E Data
- DS Data Shielded
- GC Ground Circuit
- BL BLU Link
- C Co-Ax
- DC DC Power
- CO Serial
- U USB
- F Fiber
- H HDMI - DVI
- HD As Marked
- A As Marked

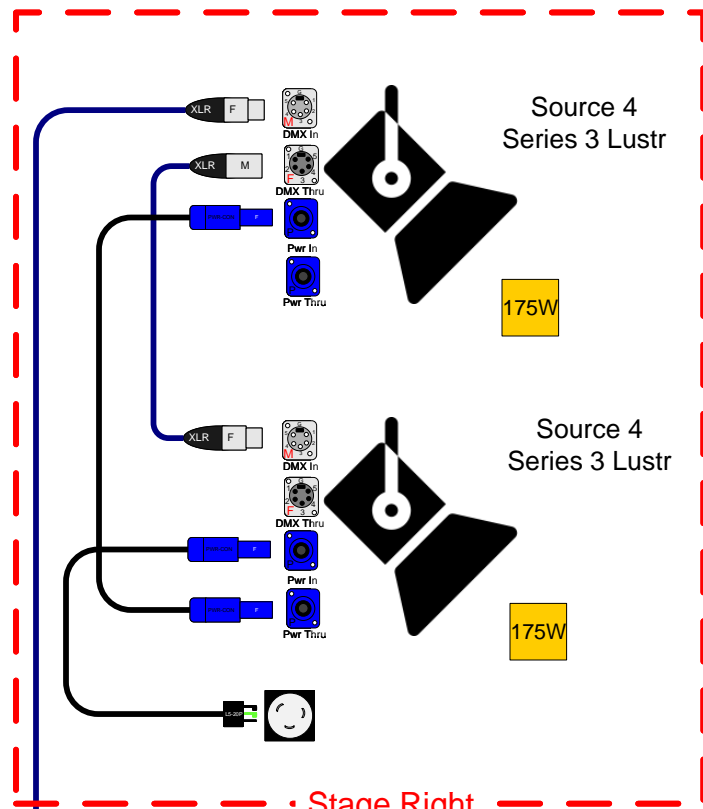


NDI devices must be connected to the specified port on the Netgear only, as shown.

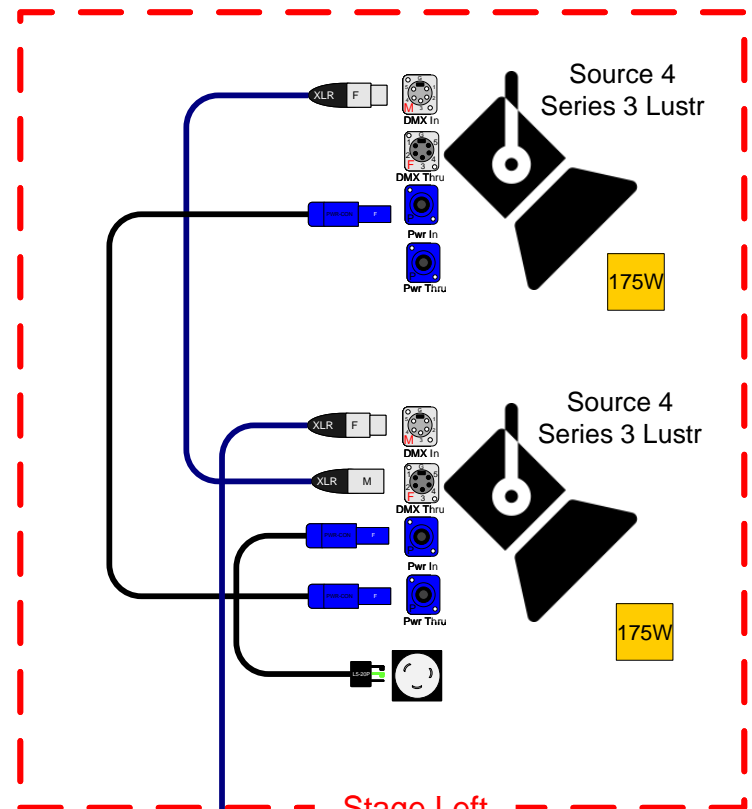


Proprietary & Confidential
 Property of Sound Concepts LLC
 Copyright 2022

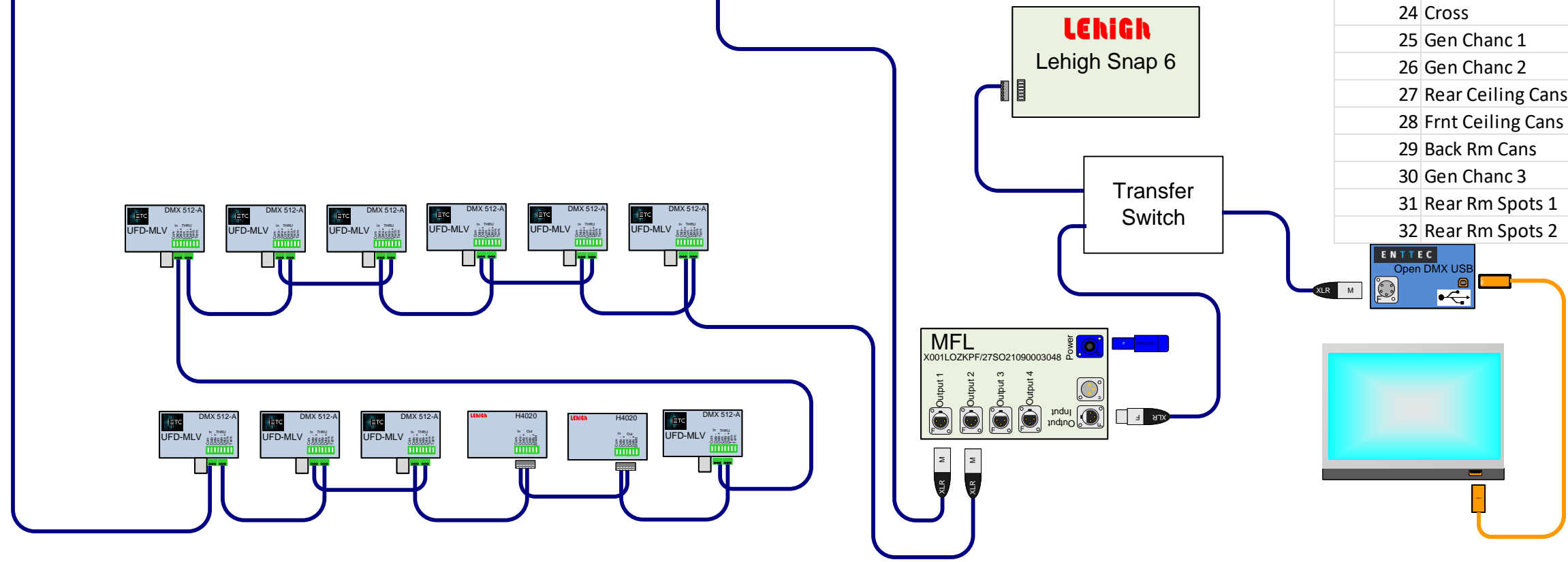
CUSTOMER	
Clifton UMC	
Address	
PROJECT	
Sanctuary Electronics	
Proj #	Dwg #
50947	50947-Scheme
Date	Revision
3-12-2022	4
DRAWN BY	PAGE
J Murphy	1 OF 3



• Stage Right



Stage Left



DMX channel Assignments		
Ch #	Loc	Function
1	SR Spot	Intensity
2	SR Spot	Red
3	SR Spot	Green
4	SR Spot	Blue
5	SR Spot	Strobe
6	SCR Spot	Intensity
7	SCR Spot	Red
8	SCR Spot	Green
9	SCR Spot	Blue
10	SCR Spot	Strobe
11	SCL Spot	Intensity
12	SCL Spot	Red
13	SCL Spot	Green
14	SCL Spot	Blue
15	SCL Spot	Strobe
16	SL Spot	Intensity
17	SL Spot	Red
18	SL Spot	Green
19	SL Spot	Blue
20	SL Spot	Strobe
21	Frnt Chand	Dim
22	Ctr Chand	Dim
23	Rear Chand	Dim
24	Cross	Dim
25	Gen Chanc 1	Dim
26	Gen Chanc 2	Dim
27	Rear Ceiling Cans	Dim
28	Frnt Ceiling Cans	Dim
29	Back Rm Cans	Dim
30	Gen Chanc 3	Dim
31	Rear Rm Spots 1	Dim
32	Rear Rm Spots 2	Dim



SOUND CONCEPTS LLC

1233 Castle Dr. Ste A5 Mason, Oh 45040
513-703-0147
customerservice@soundconceptsllc.com
www.soundconceptsllc.com

Wire Color Legend

AC	AC Line
B	Audio, Balanced
U	Audio, Unbalanced
S	Speaker
DA	Digital Audio
E	Data
DS	Data Shielded
Ground Circuit	Ground Circuit
BL	BLU Link
C	Co-Ax
DC	DC Power
CO	Serial
U	USB
F	Fiber
H	HDMI - DVI
HD	As Marked
A	As Marked

Proprietary & Confidential
Property of Sound Concepts LLC
Copyright 2022

CUSTOMER	
Clifton UMC	
Address	
PROJECT	
Sanctuary Lighting	
Proj #	Dwg #
50947	50947-Scheme
Date	Revision
2-16-22	3
DRAWN BY	PAGE
J Murphy	2 OF 3



SOUND CONCEPTS LLC

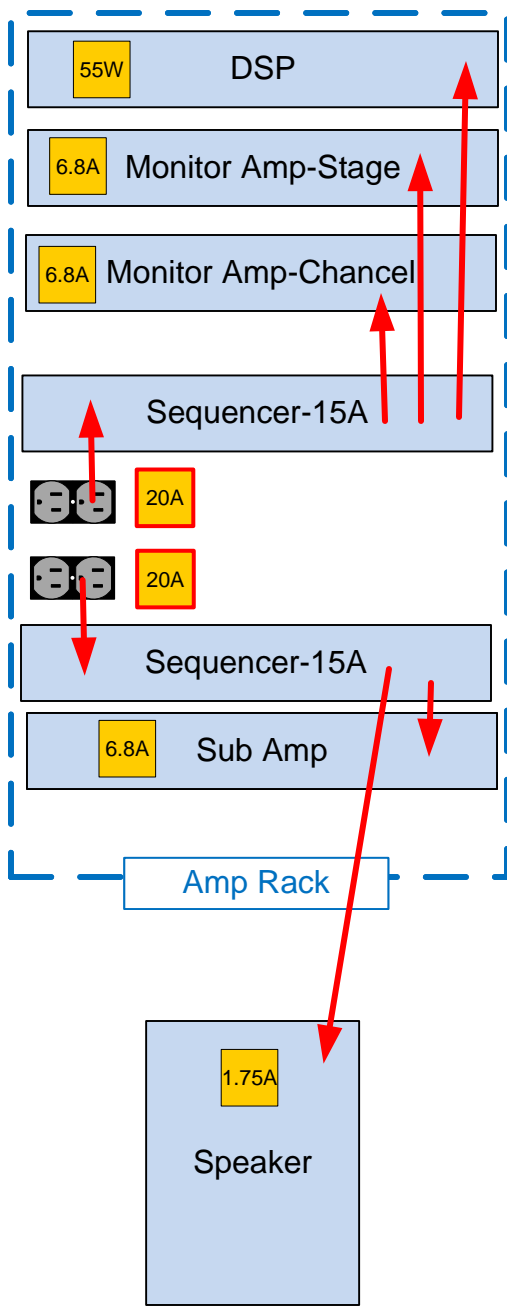
1233 Castle Dr. Ste A5 Mason, Oh 45040
513-703-0147

customerservice@soundconceptsllc.com
www.soundconceptsllc.com

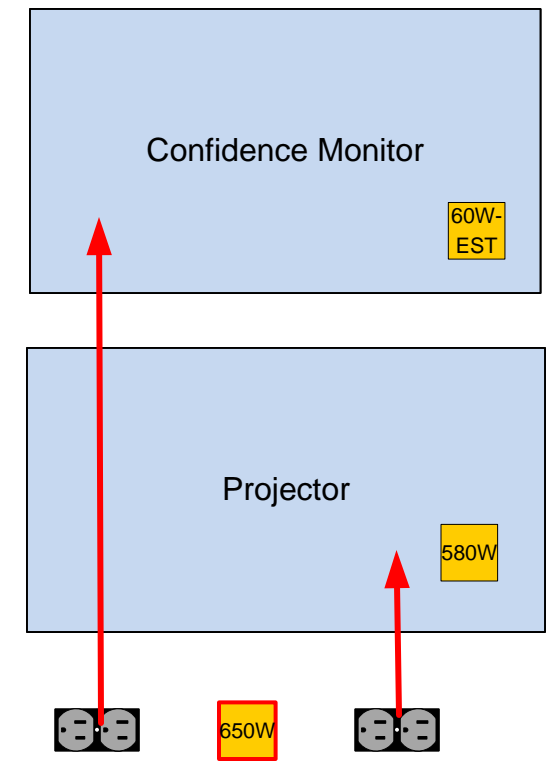
Wire Color Legend

- AC AC Line
- B Audio, Balanced
- U Audio, Unbalanced
- S Speaker
- DA Digital Audio
- E Data
- DS Data Shielded
- Ground Circuit
- BL BLU Link
- C Co-Ax
- DC DC Power
- CO Serial
- U USB
- F Fiber
- H HDMI - DVI
- HD As Marked
- A As Marked

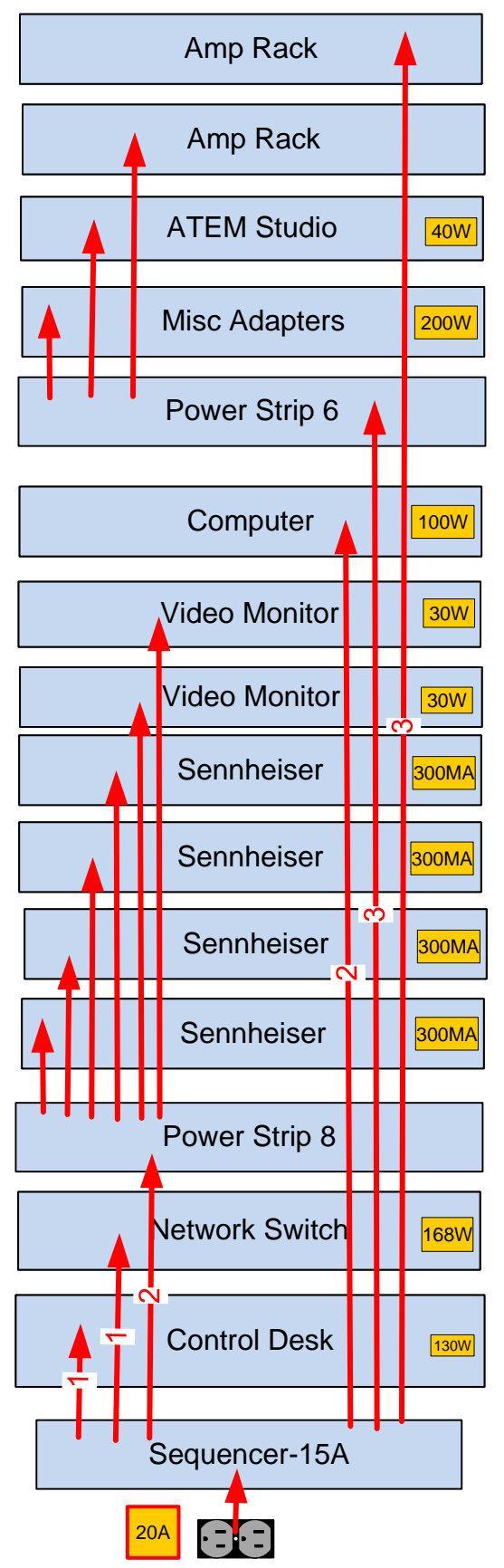
PRELIMINARY



Amp Rack



Presentation System



Control Booth



Stage

All circuits must be connected to the same electrical phase.
All circuits to be isolated ground with Orange receptacles.

Electrical Grid

Proprietary & Confidential
Property of Sound Concepts LLC
Copyright 2022

CUSTOMER	
Clifton UMC	
Address	
PROJECT	
Sanctuary Electronics	
Proj #	Dwg #
50947	50947-Scheme
Date	Revision
3-12-2022	4
DRAWN BY	PAGE
J Murphy	3 OF 3