



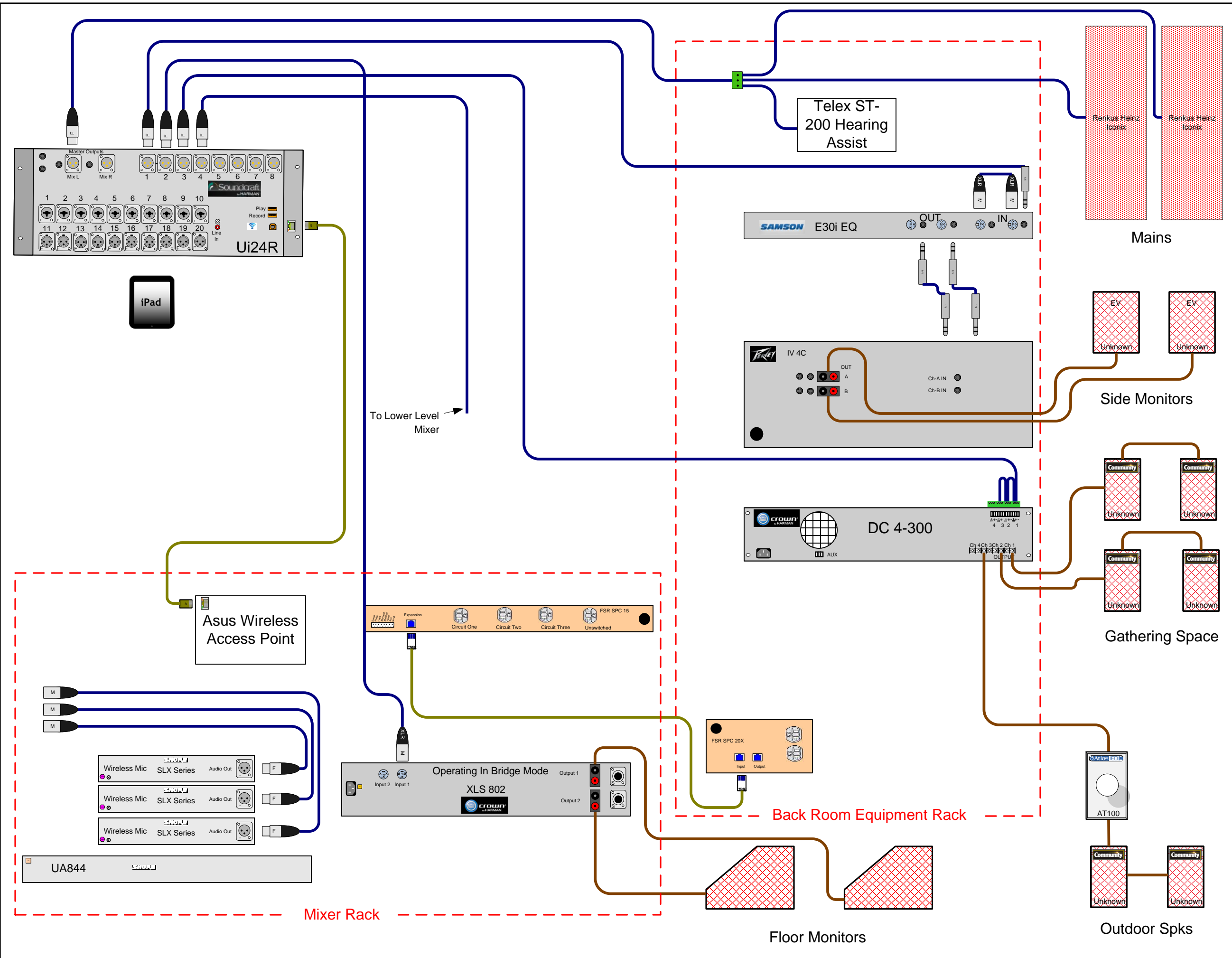
**SOUND CONCEPTS LLC**

1233 Castle Dr. Ste A5 Mason, Oh 45040  
513-703-0147

customerservice@soundconceptsllc.com  
www.soundconceptsllc.com

**Wire Color Legend**

|        |                   |
|--------|-------------------|
| AC     | AC Line           |
| B      | Audio, Balanced   |
| U      | Audio, Unbalanced |
| S      | Speaker           |
| E      | Data              |
| Ground | Ground Circuit    |
| BL     | BLU Link          |
| C      | Co-Ax             |
| DC     | DC Power          |
| CO     | Serial            |
| DM     | Digital Media 8G  |
| F      | Fiber             |
| H      | HDMI - DVI        |
| A      | As Marked         |



Proprietary & Confidential  
Property of Sound Concepts LLC  
Copyright 2020

|                        |          |
|------------------------|----------|
| CUSTOMER               |          |
| Corpus Christi         |          |
| PROJECT                |          |
| Sanctuary Audio System |          |
| Proj #                 | Dwg #    |
| 50610                  | 50610-S  |
| Date                   | Revision |
| 11-17-2022             | 2        |
| DRAWN BY               | PAGE     |
| J Murphy               | 1 OF 2   |



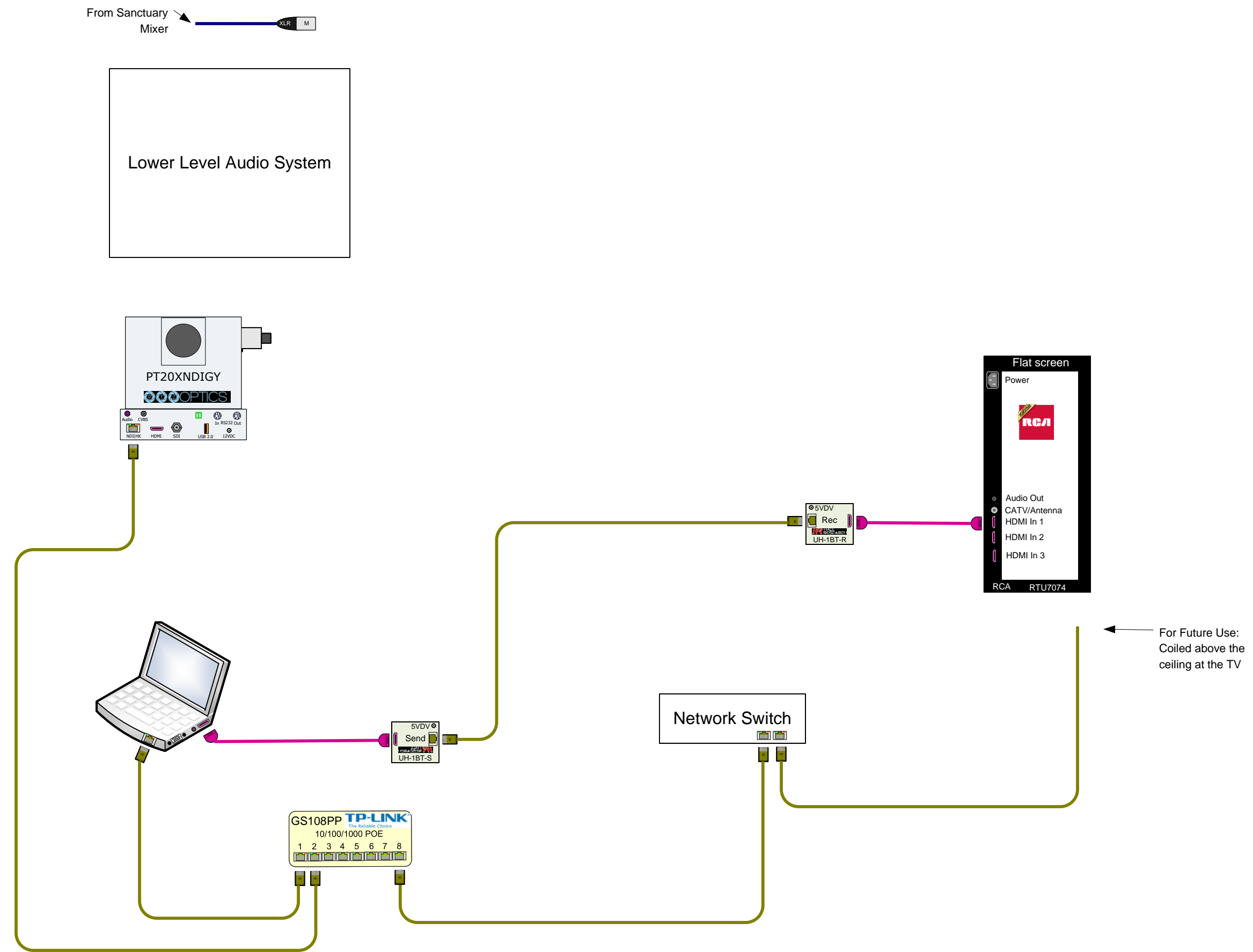
**SOUND CONCEPTS LLC**

1233 Castle Dr. Ste A5 Mason, Oh 45040  
513-703-0147

customerservice@soundconceptsllc.com  
www.soundconceptsllc.com

**Wire Color Legend**

|              |    |                   |
|--------------|----|-------------------|
| Black        | AC | AC Line           |
| Blue         | B  | Audio, Balanced   |
| Magenta      | U  | Audio, Unbalanced |
| Brown        | S  | Speaker           |
| Olive        | E  | Data              |
| Green        |    | Ground Circuit    |
| Light Blue   | BL | BLU Link          |
| Purple       | C  | Co-Ax             |
| Red          | DC | DC Power          |
| Teal         | CO | Serial            |
| Yellow-Green | DM | Digital Media 8G  |
| Orange       | F  | Fiber             |
| Pink         | H  | HDMI - DVI        |
| Grey         | A  | As Marked         |



Proprietary & Confidential  
Property of Sound Concepts LLC  
Copyright 2020

|                        |          |
|------------------------|----------|
| CUSTOMER               |          |
| Corpus Christi         |          |
| PROJECT                |          |
| Sanctuary Audio System |          |
| Proj #                 | Dwg #    |
| 50610                  | 50610-S  |
| Date                   | Revision |
| 5-28-2020              | 1        |
| DRAWN BY               | PAGE     |
| J Murphy               | 2 OF 2   |