



SOUND CONCEPTS LLC

1233 Castle Dr. Ste A5 Mason, Oh 45040  
513-703-0147

customerservice@soundconceptsllc.com  
www.soundconceptsllc.com

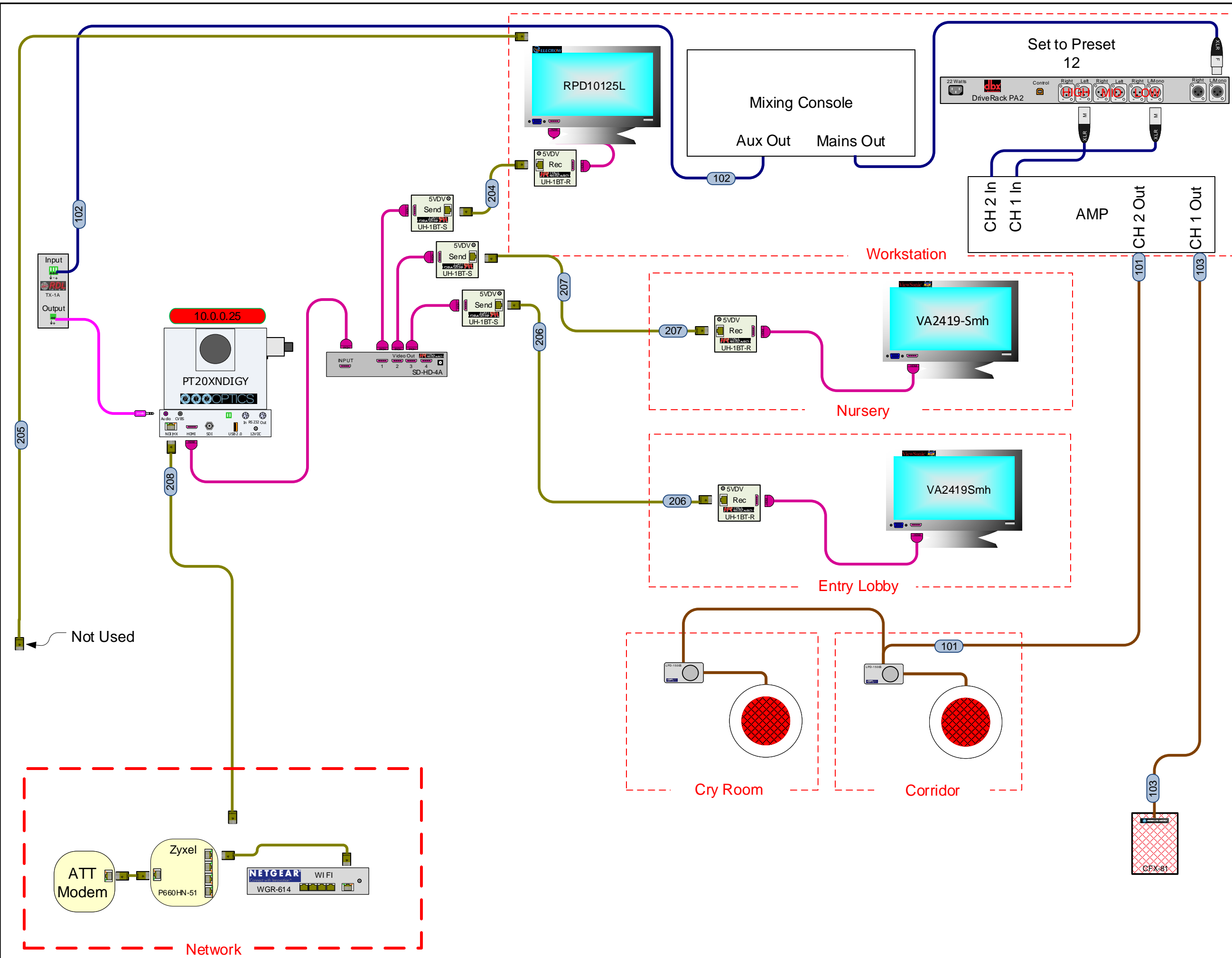
**Wire Color Legend**

AC	AC Line
B	Audio, Balanced
U	Audio, Unbalanced
V	Composite
DA	Digital Audio
S	Speaker
E	Data
GC	Ground Circuit
VG	RGBHV
RG	RGB
C	Co-Ax
DC	DC Power
CO	Serial
CN	Cresnet
US	USB
DM	Digital Media
F	Fiber
H	HDMI - DVI
A	As Marked

Rev 2: Added IP address for camera

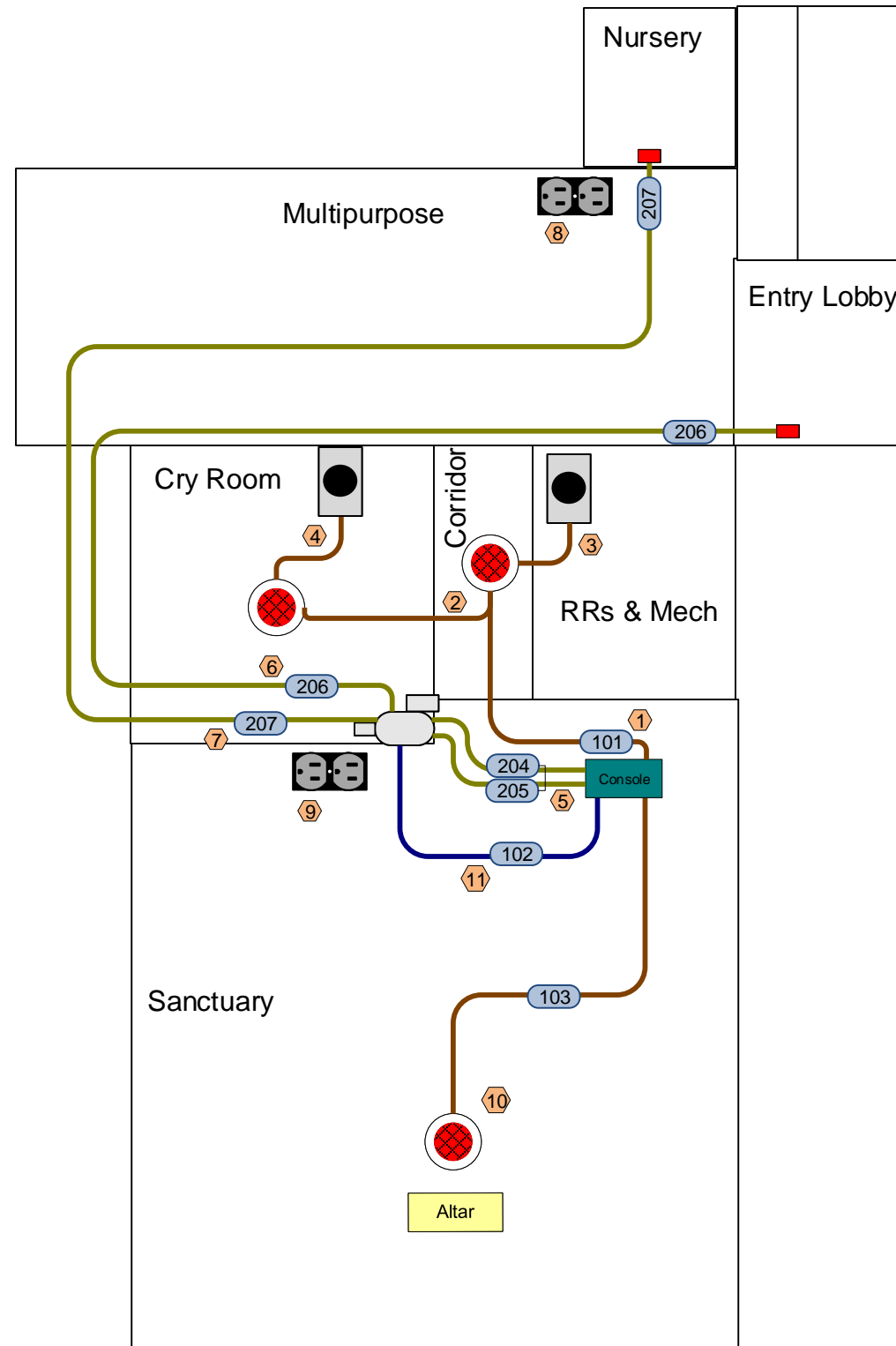
Proprietary & Confidential  
Property of Sound Concepts LLC  
Copyright 2019

CUSTOMER	
Point Pleasant Church of Christ	
Address	
PROJECT	
Video System	
Proj #	Dwg #
50862	50862
Date	Revision
5-23-2020	2
DRAWN BY	PAGE
J Murphy	1 OF 2



Notes: ①

1. From Console amp rack run 1- 16ga 2 cond speaker wire to speaker for Corridor: WN 101
2. Run 1- 16ga 2- Cond speaker wire from speaker for Corridor to speaker for Cry Room
3. Run speaker wire from Corridor speaker to volume control, location to be determined by church representative.
4. Run speaker wire from Cry Room speaker to the associated volume control located near the light switch on the wall near the entry door from the Multipurpose Room.
5. Run 2 CAT5e wires from the Console location to the Camera location WN 204 & WN 205
6. Run 1 CAT5e wire from Camera location to TV monitor location in Entry Lobby (Location to be determined in consultation with church representative.) WN 206
7. Run 1 CAT5e wire from Camera location to TV monitor location in the Nursery. Location to be above blackboard in center. WN 207
8. In Nursery, Extend A/C Power from receptacle below blackboard to above the blackboard and provide a single gang, 2 outlet receptacle.
9. In Cry Room, Extend A/C Power from nearest receptacle to above the ceiling and provide a single gang, 2 outlet receptacle.
10. Run 12ga 2Cond spk wire from amp location to the main speaker location. Use existing conduit to the projector for the first leg of the run and install under the center reveal board the rest of the way.
11. Run 20ga 3-Cond OAS Mic/line wire from Console location to the Camera location.



Floor Plan

Wire No.	Origination	Destination	Type
101	Amp	Corridor Spk	16ga 2-Cond
102	Console	Camera	20ga 3-Cond OAS
103	Amp	Main Spk	12ga 2-Cond
204	Console	Camera	CAT5e
205	Console	Camera	CAT5e
206	Camera	Entry	CAT5e
207	Camera	Nursery	CAT5e



**SOUND CONCEPTS LLC**

1233 Castle Dr. Ste A5 Mason, Oh 45040  
 513-703-0147  
 customerservice@soundconceptsllc.com  
 www.soundconceptsllc.com

**Wire Color Legend**

	AC	AC Line
	B	Audio, Balanced
	U	Audio, Unbalanced
	V	Composite
	DA	Digital Audio
	S	Speaker
	E	Data
		Ground Circuit
	VG	RGBHV
	RG	RGB
	C	Co-Ax
	DC	DC Power
	CO	Serial
	CN	Cresnet
	US	USB
	DM	Digital Media
	F	Fiber
	H	HDMI - DVI
	A	As Marked

Proprietary & Confidential  
 Property of Sound Concepts LLC  
 Copyright 2019

CUSTOMER

**Point Pleasant Church of Christ**

Address

PROJECT

**Wire Diagram**

Proj #	Dwg #
50862	50862-WD
Date	Revision
5-28-2019	1
DRAWN BY	PAGE
J Murphy	2 OF 2