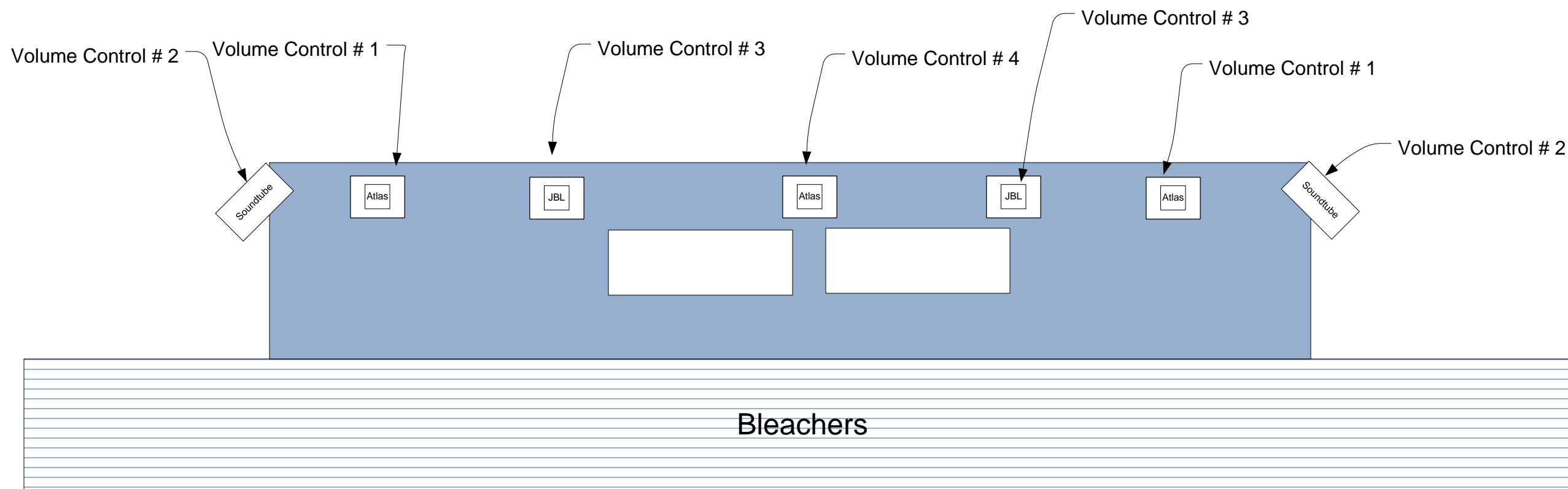




**SOUND CONCEPTS LLC**

1233 Castle Dr. A5, Mason, Oh 45040  
513-703-0147  
customerservice@soundconceptsllc.com  
www.soundconceptsllc.com



Proprietary & Confidential  
Property of Sound Concepts LLC  
Copyright 2024

Customer

Talawanda

Project

Stadium Speakers

PROJ #

0

DWG #

0

DATE

10-11-224

Revision

0

DRAWN BY

J Murphy

PAGE

1 OF 2



**SOUND CONCEPTS LLC**

1233 Castle Dr. A5, Mason, Oh 45040  
513-703-0147

customerservice@soundconceptsllc.com  
www.soundconceptsllc.com

**Wire Color Legend**

—	AC	AC Line
—	B	Audio, Balanced
—	U	Audio, Unbalanced
—	S	Speaker
—	DA	Digital Audio
—	E	CAT Cable
—	DS	CAT Shielded
—		Ground Circuit
—	BL	BLU Link
—	C	Co-Ax
—	DC	DC Power
—	CO	Serial
—	U	USB
—	F	Fiber
—	H	SDI - HDMI - DVI
—	HD	As Marked
—	A	As Marked

Proprietary & Confidential  
Property of Sound Concepts LLC  
Copyright 2024

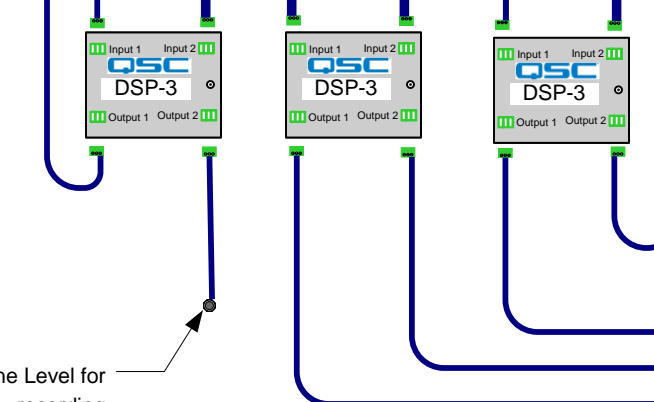
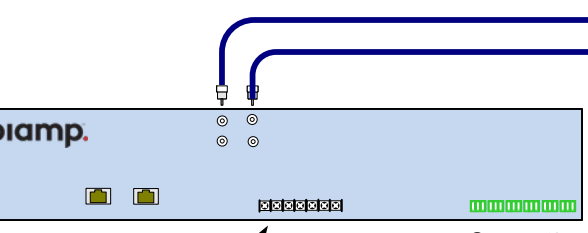
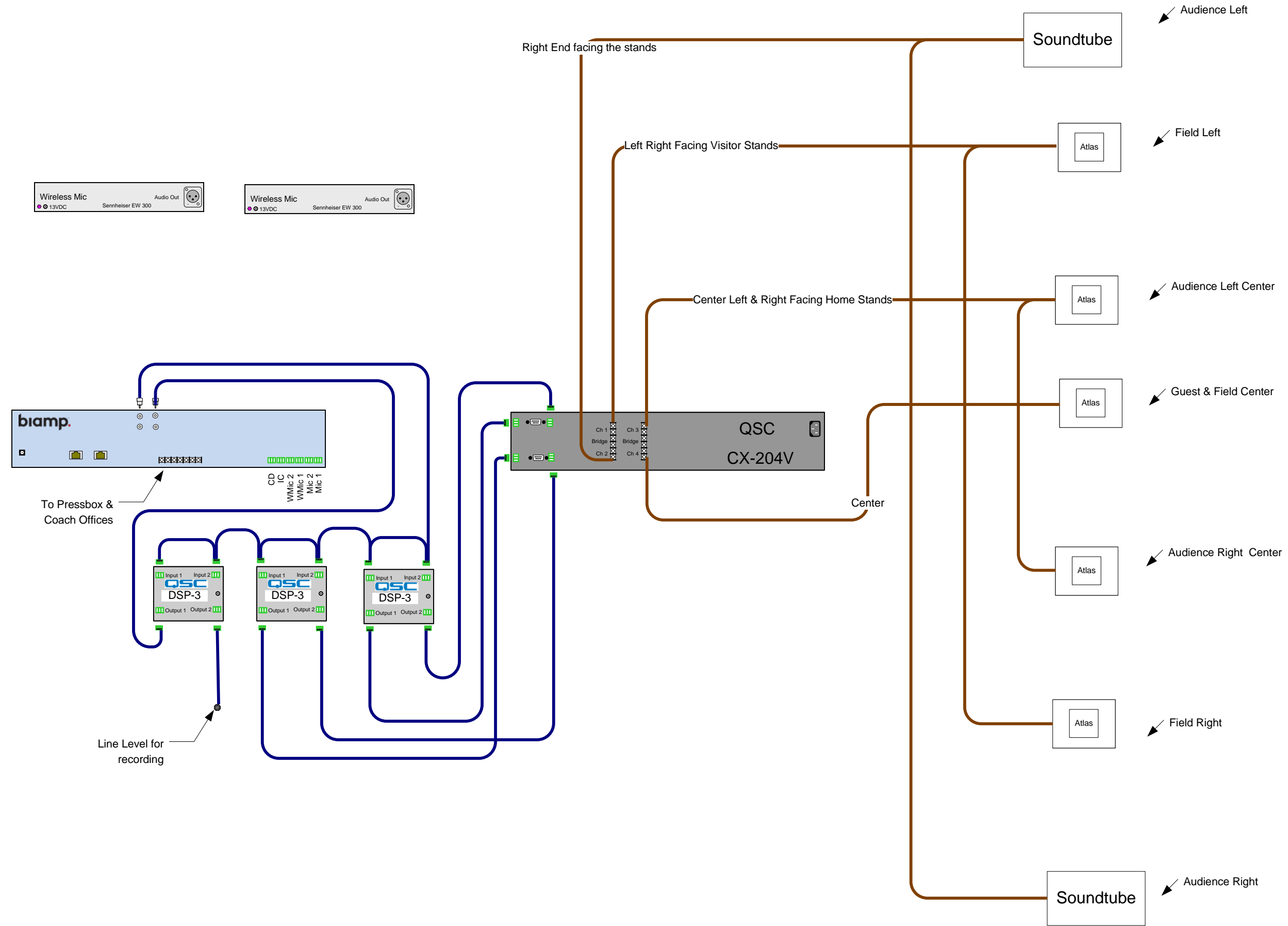
Customer  
**Talawanda**

Project  
**Stadium Speakers Schematics**

PROJ #	DWG #
0	0

DATE	Revision
10-11-2024	0

DRAWN BY	PAGE
J Murphy	2 OF 2



Line Level for recording

To Pressbox & Coach Offices

Right End facing the stands

Left Right Facing Visitor Stands

Center Left & Right Facing Home Stands

Center

Soundtube

Atlas

Atlas

Atlas

Atlas

Atlas

Soundtube

Audience Left

Field Left

Audience Left Center

Guest & Field Center

Audience Right Center

Field Right

Audience Right