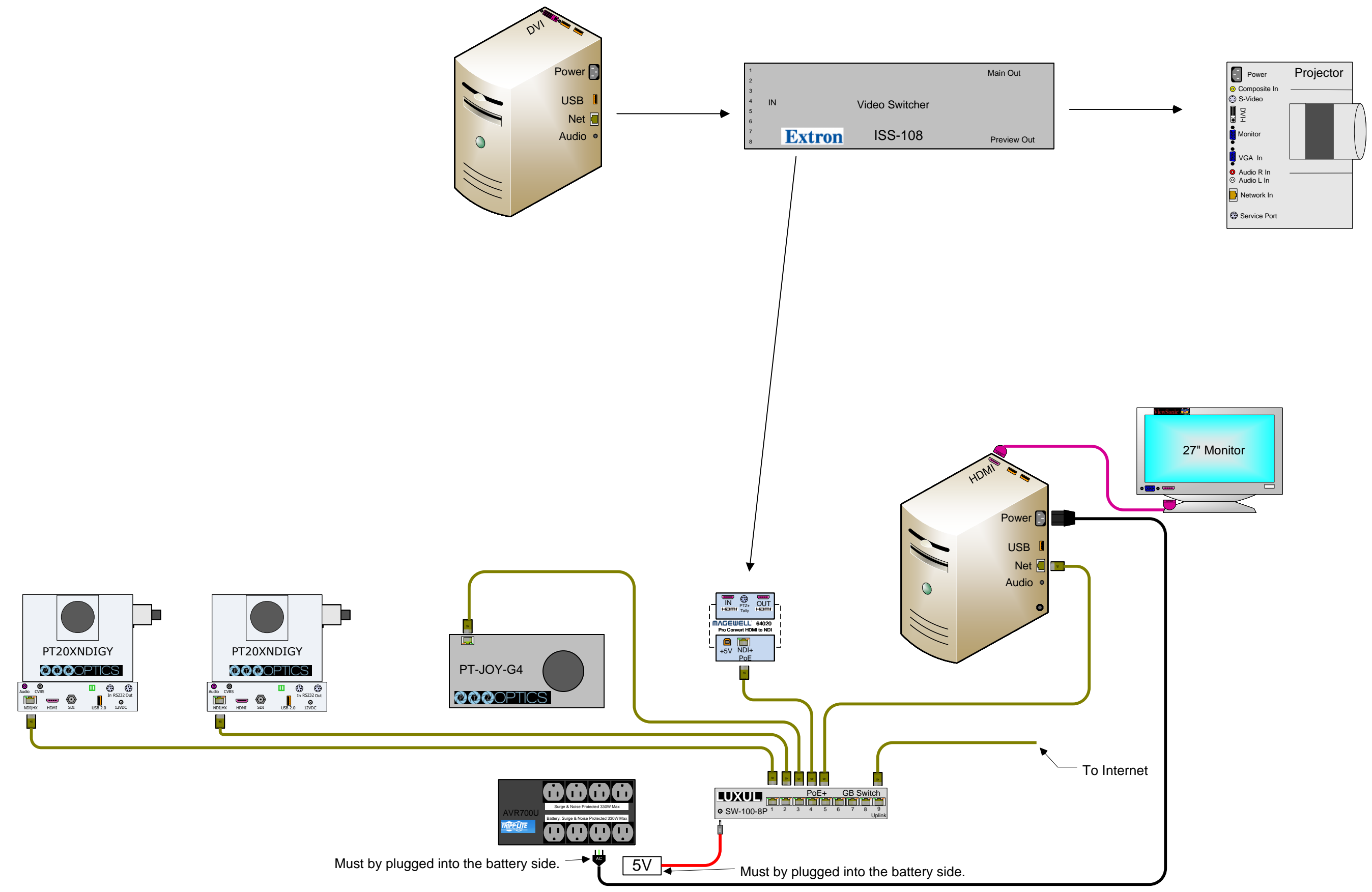
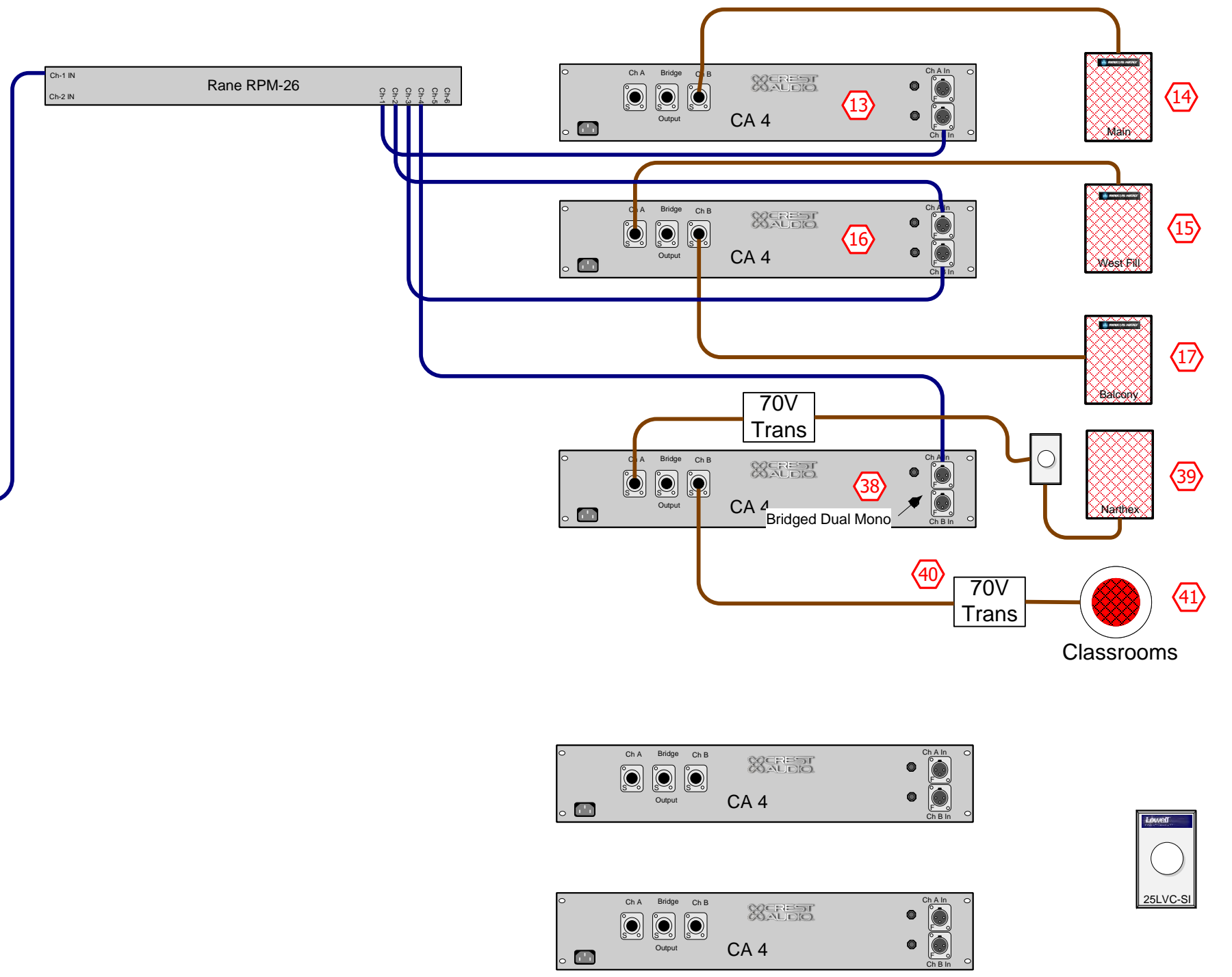
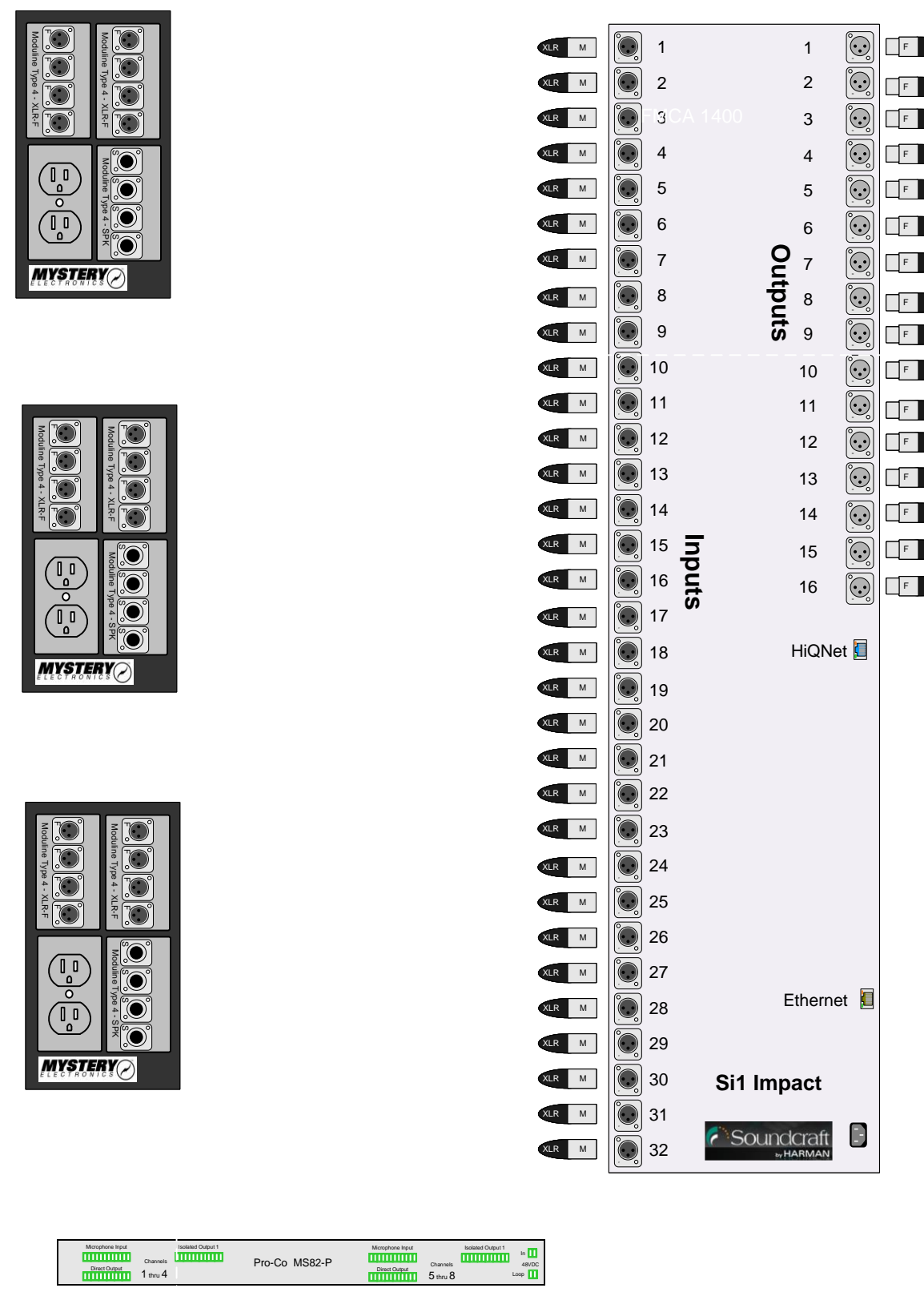




SOUND CONCEPTS LLC
 1233 Castle Dr. Ste A5 Mason, Oh 45040
 513-703-0147
 customerservice@soundconceptslc.com
 www.soundconceptslc.com



This drawing is partially updated from the original 2005 system drawing. As such it may not be complete in every detail as the system has changed over the years and the drawing has not been maintained.

Wire Color Legend

AC	AC Line
B	Audio, Balanced
U	Audio, Unbalanced
S	Speaker
DA	Digital Audio
E	Data
DS	Data Shielded
GC	Ground Circuit
RL	RS-485 Link
BL	Co-Ax
C	Co-Ax
DC	DC Power
CD	Serial
U	USB
F	Fiber
H	HDMI - DVI
HD	As Marked
A	As Marked

Proprietary & Confidential
 Property of Sound Concepts LLC
 Copyright 2021

Customer	
Trinity Lutheran	
Project	
A/V System	
PROJ #	DWG #
0	0
DATE	Revision
10-26-2021	0
DRAWN BY	PAGE
J Murphy	1 OF 1