

| Wire No. | Origination | Destination | Type |
|----------|---------------------|-------------------|----------------|
| V100 | 1-Camera | Control Desk | CAT5e Green |
| V101 | 1-Camera | 3 Encoder | RG6 |
| V102 | 1-Camera | 2- Pwr Inj | CAT5e White |
| V103 | 5 Hall Rec | 4 Projector | HDMI Short |
| V104 | 6 Hall Trans | 5 Hall rec | CAT6 Blue |
| V105 | Network | 4 Projector | CAT5e White |
| V107 | 3 encoder | 8 SE650 | HDMI |
| V108 | 8 SE-650 | 9 Viewsonic | HDMI |
| V109 | 3 Streamspot | Router | HDMI |
| A110 | 10 Mic Pulpit Fl Bx | 23 Mixer In 1 | Audio Balanced |
| A111 | 11 Mic Pulpit Fl Bx | 23 Mixer In 7 | Audio Balanced |
| A112 | 12 Mic Fl Stg Rt | 23 Mixer In 2 | Audio Balanced |
| A113 | 13 Mic Fl Stg Lft | 23 Mixer In 3 | Audio Balanced |
| A114 | 14 Wireless A | 23 Mixer In 4 | Audio Balanced |
| A115 | 15 Wireless B | 23 Mixer In 5 | Audio Balanced |
| A116 | 16 wireless C | 23 Mixer In 6 | Audio Balanced |
| A117 | 25 Bogen Chime | 23 Mixer In 12 | Audio Balanced |
| A118 | 23 Mixer L Out | Adapter 125 | Audio Balanced |
| A119 | 18 Driverack HiRt | 20 QSC707 In L | Audio Balanced |
| A120 | 18 Driverack HiLft | 19 QSC204 In 1 | Audio Balanced |
| A121 | Driverack MidRt | 17 Listen | Audio Balanced |
| A122 | Driverack MidLft | 24 ASA141 | Audio Balanced |
| A123 | 20 QSC702 Ch1 | 21 stg Rt Spk | Audio Speaker |
| A124 | 20 QSC702 Ch2 | 22 stg Lft Spk | Audio Speaker |
| A125 | Cable 118 | 18 Driverk L/R In | Audio Speaker |



SOUND CONCEPTS LLC
 1233 Castle Dr. Ste A5 Mason, Oh 45040
 513-703-0147
 customerservice@soundconceptsllc.com
 www.soundconceptsllc.com

Wire Color Legend

- AC AC Line
- B Audio, Balanced
- U Audio, Unbalanced
- S Speaker
- DA Digital Audio
- E Data
- Ground Circuit
- BL BLU Link
- C Co-Ax
- DC DC Power
- CO Serial
- DM Digital Media 8G
- F Fiber
- H HDMI - DVI
- A As Marked

0 Item ID #

As Built

Proprietary & Confidential
 Property of Sound Concepts LLC
 Copyright 2023

| | |
|-------------------------------|-----------|
| CUSTOMER | |
| West Mason Church of Christ | |
| Address | |
| 6800 Tylersville Rd, Mason Oh | |
| PROJECT | |
| Sanctuary A/V | |
| Proj # | Dwg # |
| 50877 | 50877-Sch |
| Date | Revision |
| 9-08-2023 | 3 |
| DRAWN BY | PAGE |
| J Murphy | 1 OF 3 |



SOUND CONCEPTS LLC

1233 Castle Dr. Ste A5 Mason, Oh 45040
 513-703-0147
 customerservice@soundconceptsllc.com
 www.soundconceptsllc.com

Wire Color Legend

| | | |
|---|----|-------------------|
| — | AC | AC Line |
| — | B | Audio, Balanced |
| — | U | Audio, Unbalanced |
| — | S | Speaker |
| — | DA | Digital Audio |
| — | E | Data |
| — | | Ground Circuit |
| — | BL | BLU Link |
| — | C | Co-Ax |
| — | DC | DC Power |
| — | CO | Serial |
| — | DM | Digital Media 8G |
| — | F | Fiber |
| — | H | HDMI - DVI |
| — | A | As Marked |

0 Item ID #

Proprietary & Confidential
 Property of Sound Concepts LLC
 Copyright 2019

CUSTOMER
West Mason Church of Christ

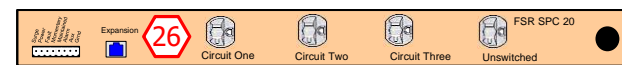
Address
6800 Tylersville Rd, Mason Oh

PROJECT
Sanctuary A/V

Proj # 50877 Dwg # 50877-PWR

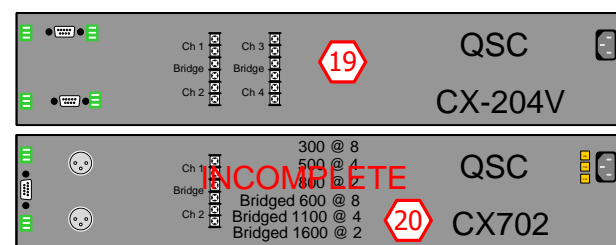
Date 10-17-2019 Revision 1

DRAWN BY J Murphy PAGE 2 OF 3

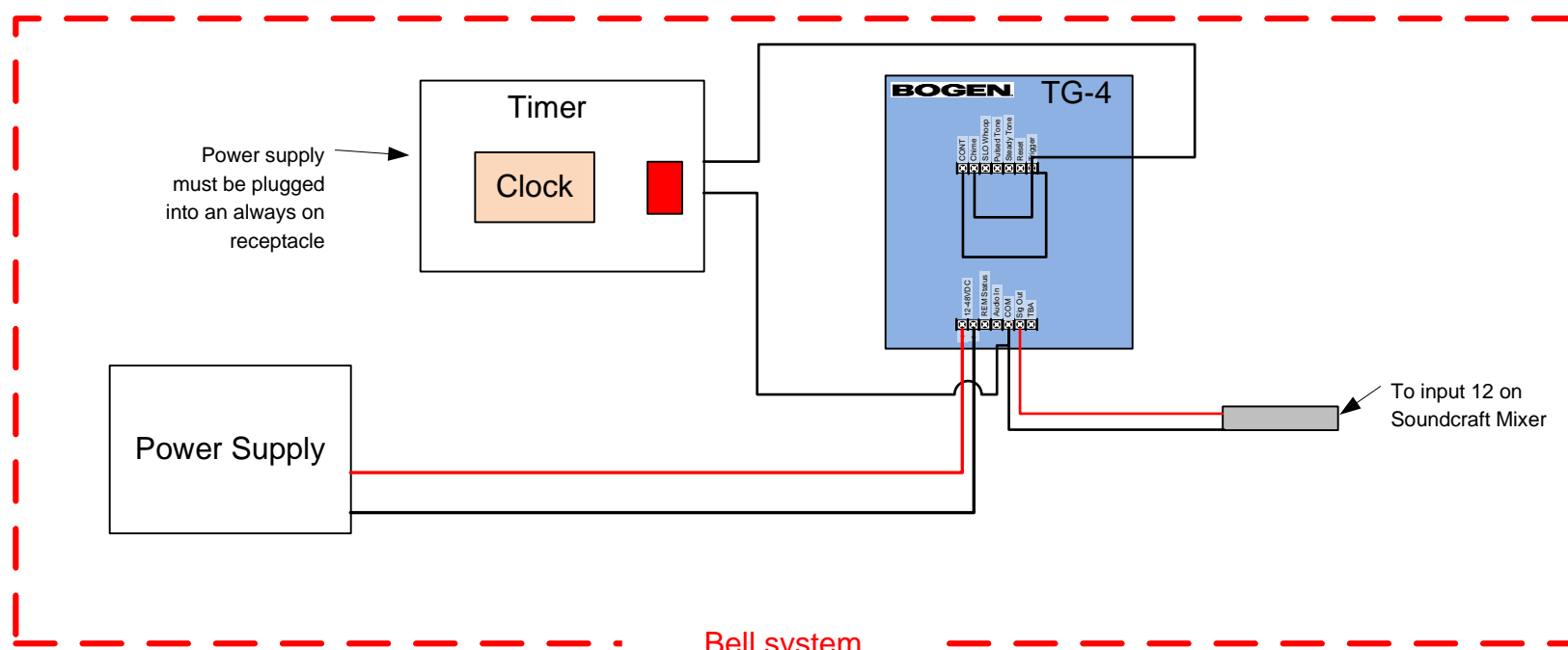
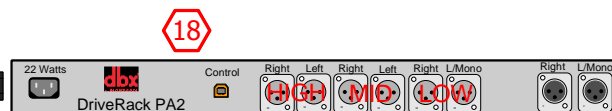


Devices must be plugged in as shown for system to operate properly and prevent damage to equipment.

- 27 PDU 10150S
- Wireless A
- Wireless B
- Wireless C
- Listen Hearing Assist
- Bogen chime
- Chime Timer
- Streamspot
- Soundcraft Mixer
- Video Extender



INCOMPLETE



System Power Distribution Detail
 Bell system Detail

- Rev 1 Added Datavideo switcher, removed HDMI Extender from rack to booth
- Rev 2 Removed StreamSpot and added Boxcaster and BMD SDI to HDMI converter



SOUND CONCEPTS LLC

1233 Castle Dr. Ste A5 Mason, Oh 45040
 513-703-0147
 customerservice@soundconceptsllc.com
 www.soundconceptsllc.com

Proprietary & Confidential
 Property of Sound Concepts LLC
 Copyright 2019

CUSTOMER

West Mason Church of Christ

Address

6800 Tylersville Rd, Mason Oh

PROJECT

Sanctuary A/V

| | |
|--------------|------------------|
| Proj # | Dwg # |
| 50877 | 50877-Sch |

| | |
|-------------------|----------|
| Date | Revision |
| 10-17-2019 | 0 |

| | |
|-----------------|---------------|
| DRAWN BY | PAGE |
| J Murphy | 3 OF 3 |

Revision Sheet